

## **SAG0207**

### **Instruction Manual**

### **Dual 8" In-Wall Subwoofer**

Congratulations on the purchase of your new Saga Elite In-Wall Subwoofer. We appreciate you, our valued customer, and are proud to announce our commitment to providing you with the highest quality products.

The SAG0207 is an excellent source for nearly every home theater installation project. It is uniquely designed to give you the highest level of performance possible. Saga Sound Series offers a wide range of high performance products and quality solutions.



#### **Saga Warranty Information**

This Saga product carries a LIMITED LIFETIME WARRANTY on both parts and labor. Should your Saga component fail to operate properly at any time during the warranty period, Saga will repair or replace (at our option) the item barring any indication of misuse or abuse. Freight to a Saga authorized facility is paid by the customer. Return freight is paid by Saga. Warranty registration occurred automatically at the time your order was placed. There is no need to complete or mail in additional paperwork. If you have any questions about the operation or installation of this product, please call our distributor, Skywalker Communications at (800) 844-9555 or (636) 272-8025. Skywalker Communications hours of operation are from 8am to 5pm, Central Standard Time.



## IMPORTANT NOTES

- Be sure to read and understand all instructions.
- Product not intended for use in a wet environment.
- Do not install product during storms where lightning is present.
- Do not touch live wires during installation.
- Use caution during every installation and/or system modification.
- Carefully plan installation placement to avoid potential obstacles.
- Consult with a suitable professional for assistance if you are unsure of how to install.

## SUBWOOFER PLACEMENT

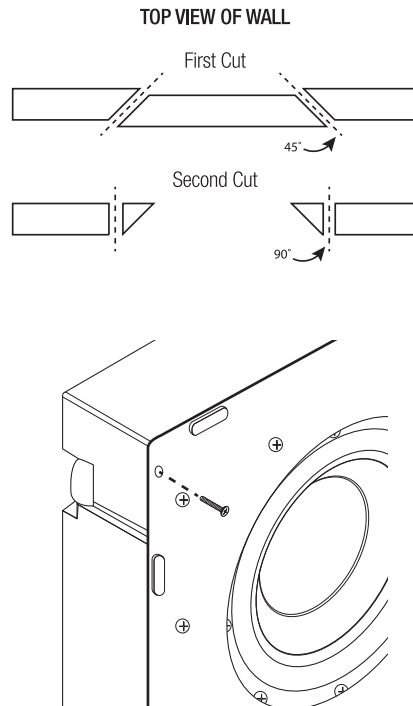
Your Saga In-Wall Subwoofer is designed to help you achieve the best sound possible. The placement of your subwoofer may vary on the overall performance. Since every room is different, you should seek professional assistance if you are uncertain about the placement of your subwoofers. However, here are a couple of things to keep in mind:

- The best performance will most likely occur by placing your subwoofer in the front of the room.
- Give your subwoofer about 2 feet of space from any obstructing surfaces that could interfere with the sound such as adjacent walls or furniture.

## INSTALLATION

- Using high quality speaker wire, run from source equipment to subwoofer location.
- Mark the area on the wall to cut out using the subwoofer template. Be sure the area is clear of any potential obstacles.
- Carefully cut a small hole at angle to inspect the area of any potential obstacles. Be sure to make your cut inside the template. If the area is clear of obstacles, then cut along the template lines to place the subwoofer.
- Insert the ends of your speaker wire into the subwoofer terminals. Be certain that you don't have any stray strands of wire sticking out of the connectors and ensure proper polarity when connecting to your amplifier (+ to + and - to -).
- Place subwoofer into the wall and tighten each of the screws so that installation arms fit the subwoofer snugly against the wall.
- If you're installing your subwoofer next to a stud that won't allow the installation arms to swing out, then you will need to install four screws (not included) into the stud through the holes along the edge of the subwoofer.
- Place the magnetic grille over the subwoofer making sure it fits flush against the wall.

**CAUTION:** Do not overtighten screws. This may result in damage to your subwoofer and/or wall.



## VIBRATION CONTROL

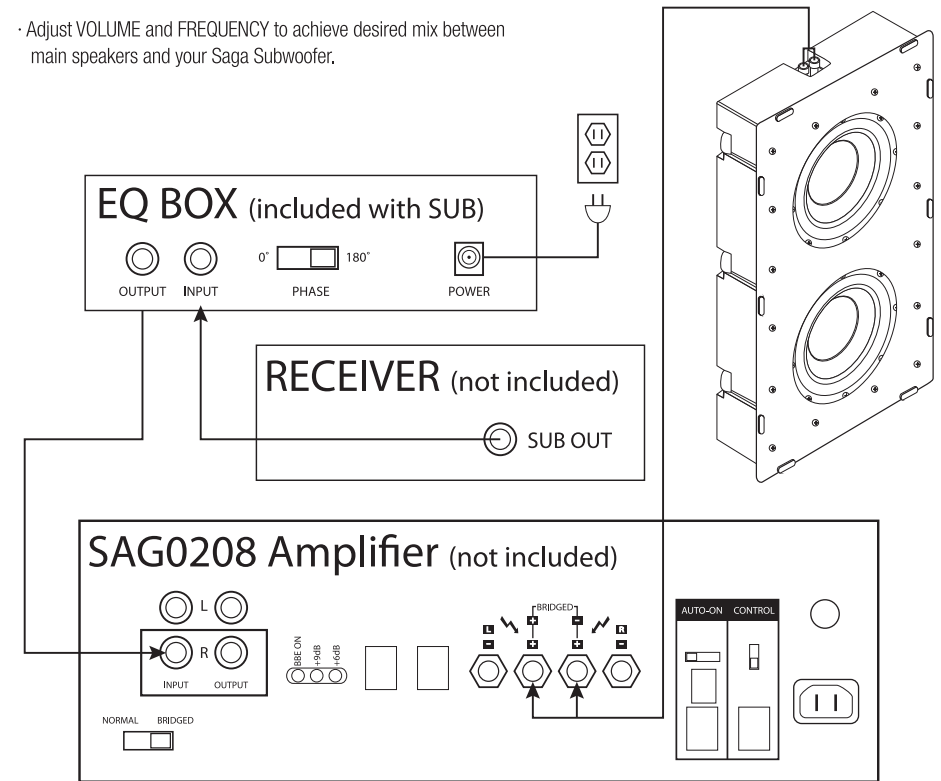
- You can use the foam pads to help control any potential speaker grille rattle. Place them on the front of the speaker next to the driver for best results.
- If necessary, you can place additional foam pads on the back of the sub to minimize vibrations between the sub and the rear drywall. You may also apply foam pads on the side to reduce vibrations between the sub and the stud.

## CONNECTING YOUR SAGA SUBWOOFER

- Your SAGA In-Wall Subwoofer comes with an active EQ Box and a power supply. The EQ Box should be installed between your receiver/source and your amplifier. The example below demonstrates the proper connections using our SAG0208 Amp.
- Connect the EQ Box input to your receiver/source sub outputs using an RCA-type cable. Connect the EQ Box output to the amplifier inputs using an RCA-type cable. Put the amplifier in Bridged Mode or use an RCA Y-Adapter with 1 Female to 2 Male Connectors to connect to the amplifier's stereo inputs.
- Connect the EQ Box power supply. The EQ Box turns on automatically when signal passes through and goes into standby mode after 5 minutes of no signal. The LED indicator will be Blue when active and turns Red when inactive.

## SETTINGS

- Make sure your amplifier (SAG0208) is in BRIDGED MODE and the BBE module is turned ON (if applicable).
- Play media with a suitable amount of bass.
- Set PHASE on EQ Box to 0° or 180° for maximum bass.
- Adjust VOLUME and FREQUENCY to achieve desired mix between main speakers and your Saga Subwoofer.



## PAINTING THE GRILLE

- You may choose to paint the subwoofer grille to match the wall color and room decor. Be sure to remove the grille from the subwoofer before painting. Also, make sure you remove the inner cloth before painting and then reapply it after painting. When painting, do not clog the holes of the grille with paint.