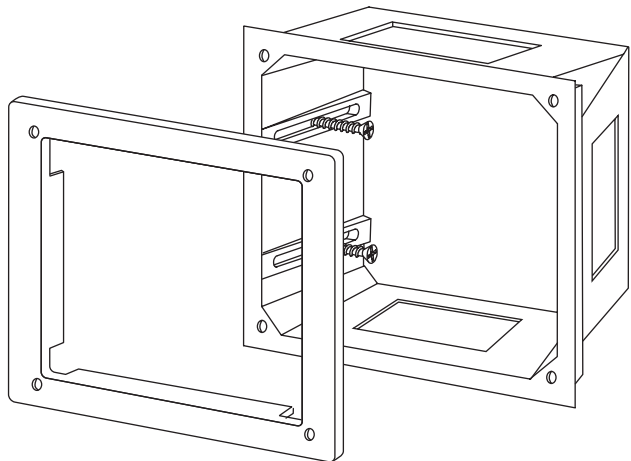




INSTRUCTION MANUAL

CON1001
Recessed Entertainment Box



Congratulations on the purchase of your new Construct Pro Recessed Entertainment Box. We appreciate you, our valued customer, and are proud to announce our commitment to providing you with simple solutions for every installation.

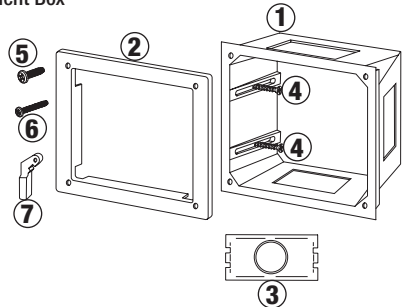
The CON1001 is an excellent source for nearly every installation project. It is uniquely designed to give you highest level of performance possible. Construct Pro offers a wide range of high performance products and quality solutions.

IMPORTANT NOTES

- Be sure to read and understand all instructions.
- Product not intended for use in a wet environment.
- Do not install product during storms where lightning is present.
- Do not touch live wires during installation.
- Use caution during every installation and/or system modification.

IN THE BOX

- ① - (1) Recessed Entertainment Box
- ② - (1) Low Profile Frame
- ③ - (3) Cover Plates
- ④ - (2) #10 Wood Screws
- ⑤ - (4) #8 Screws
- ⑥ - (4) #6 Screws
- ⑦ - (4) Swing Clips



TOOLS NEEDED

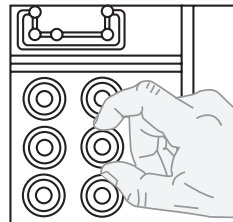
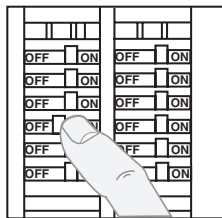
- Phillips Screwdriver
- Pencil
- Utility Knife
- Electrical Tape
- Cutters
- Wall Board Saw
- Ruler
- Level

INSTALLATION INSTRUCTIONS

STEP 1: TURN OFF POWER

Switch power off at circuit breaker or fuse. Test that power is off before you begin any work with wiring.

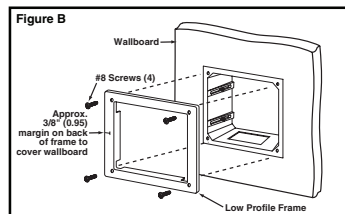
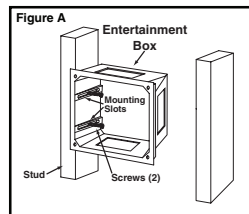
WARNING: FAILURE TO CUT POWER BEFORE WORKING WITH ELECTRICAL COMPONENTS MAY RESULT IN A FIRE OR CAUSE INJURY, SHOCK, OR DEATH.



STEP 2.1: MOUNTING - New Construction

Stud Mounted Installation (refer to Fig. A and Fig B):

1. Choose the optimal location.
2. Be sure to allow for wallboard material thickness when mounting.
NOTE: Within a 3/8" range, the frame will hide minor imperfections or visible holes after you mount the wallboard around the CON1001 Entertainment Box. Refer to Fig. A and Fig. B.
3. Using two (2) #10 Wood Screws (supplied), secure the CON1001 enclosure to the stud. Refer to Fig. A to locate mounting slots.
4. Once wallboard is mounted around the enclosure with about an 8.0" x 7.2" cut-out in place, mount the low profile frame to the CON1001 Entertainment Box. Refer to Fig. B.
5. Secure the low profile frame using four (4) #8 screws.
NOTE: You will not need to use the #6 Screws with Swing Clips when installing the CON1001 Recesses Entertainment Box in a new construction environment.



STEP 2.2: MOUNTING - Retrofit Construction

Wall Mounted Installation (refer to Fig. C and Fig D):

1. Choose the optimal location.

NOTE: 11" minimum clearance required to mount the CON1001 Entertainment Box between studs. Use a stud finder to determine and mark stud location behind surface of wall. Refer to Fig. C.

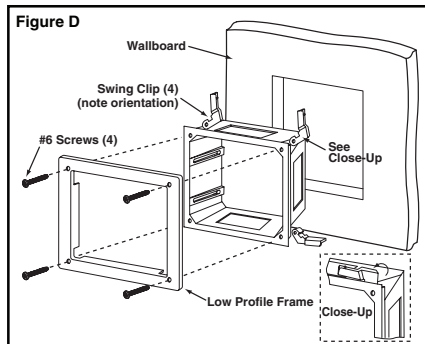
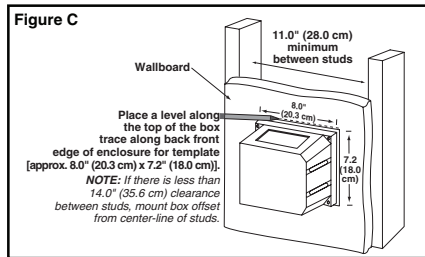
2. Use the front of the CON1001 Entertainment Box as a template to trace the cut-out area on the wall. Refer to Fig. C. Use a wallboard saw to cut-out the surface of the wall in that area.

NOTE: If you plan to attach a device box to the CON1001 Entertainment Box, be sure to accommodate enough space for it. Refer to Fig. E. If there is less than 14" between studs, the CON1001 Entertainment Box will have to be mounted in an offset position from their center-line.

3. Attach the low profile frame to the CON1001 Entertainment Box using four (4) #6 Screws along with the four (4) Swing Clips prior to mounting. Refer to Fig. D. DO NOT completely tighten screws at this point.

NOTE: For proper mounting to the wall, be sure to attach the Swing Clips as illustrated in Fig. D.

4. Position the Swing Clips so that they are flat on the box and continue to mount the CON1001 Entertainment Box into place. Refer to Fig. D. Now tighten all four screws making sure all four Swing Clips connect properly. See Fig. D.



STEP 3.1: WIRING APPLICATION

Line Voltage Connections (refer to Fig. E):

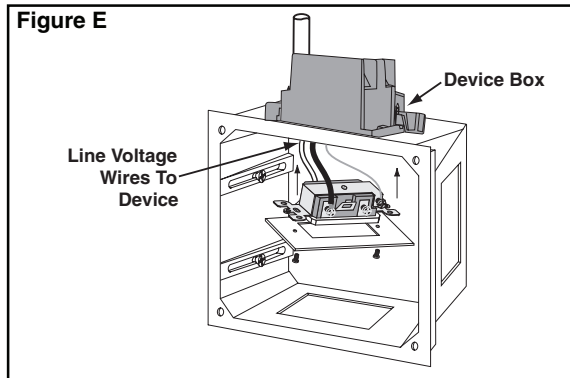
1. Use a standard Single-Gang Device Box.
2. Insert the device box into the desired position on the CON1001 Entertainment Box. Attach from the inside.
3. Route the electrical wires to the device box. Be sure to choose an adequate line voltage device that is suitable for the desired application.

NOTE: For complete wiring instructions consult the installation guide specific to the individual device.

4. If applicable, install the appropriate size wallplate by attaching it to the device box and the device.

NOTE: Use the screws most suitable for securing the wallplate. Consult the wallplate specifications to determine any recommended usage.

5. To install additional devices use the remaining positions on the CON1001 Entertainment Box and repeat steps 1 through 4. For unused slots, attach the Quick-Snap cover plate.



STEP 3.2: WIRING APPLICATION

Low Voltage Connections (refer to Fig. F):

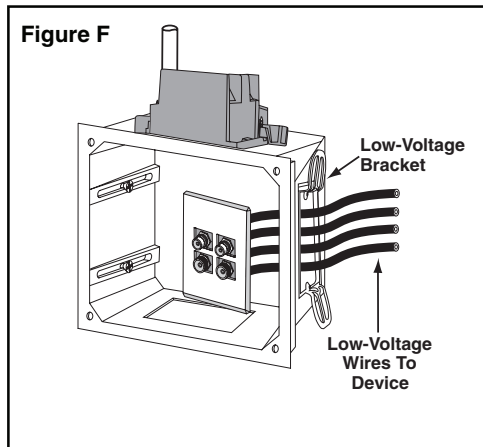
1. Use a standard Single-Gang Low-Voltage Bracket for low-voltage devices.
2. Insert the Low-Voltage Bracket into the desire position on the CON1001 Entertainment Box. Use the mounting screws on the Low-Voltage Bracket to attach it to the enclosure.
3. Route the low-voltage cables/wires through the bracket. Be sure to choose an adequate low-voltage device that is suitable for the desired application.

NOTE: For complete wiring instructions consult the installation guide specific to the individual device.

4. If applicable, install the appropriate size wallplate by attaching it to the device box and the device.

NOTE: Use the screws most suitable for securing the wallplate. Consult the wallplate specifications to determine any recommended usage.

5. To install additional low-voltage brackets use the remaining positions on the CON1001 Entertainment Box and repeat steps 1 through 4. For unused slots, attach the Quick-Snap cover plate.



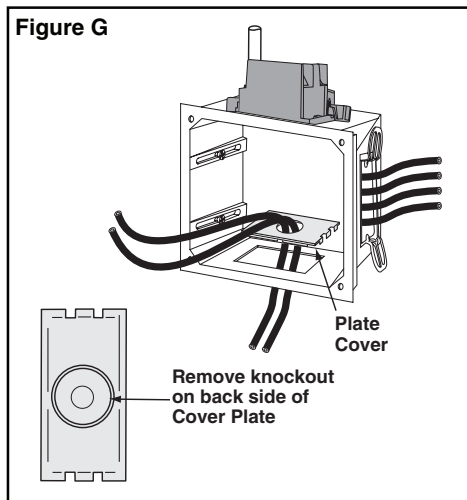
STEP 3.3: WIRING APPLICATION

Component-to-Component Connections (refer to Fig. F and Fig. G):

1. Route low-voltage connections from component-to-component by using the included Quick-Snap cover plate.
2. Simply cut the pre-defined knock-out area off the Quick-Snap cover plate with a utility knife. Refer to Fig. G.

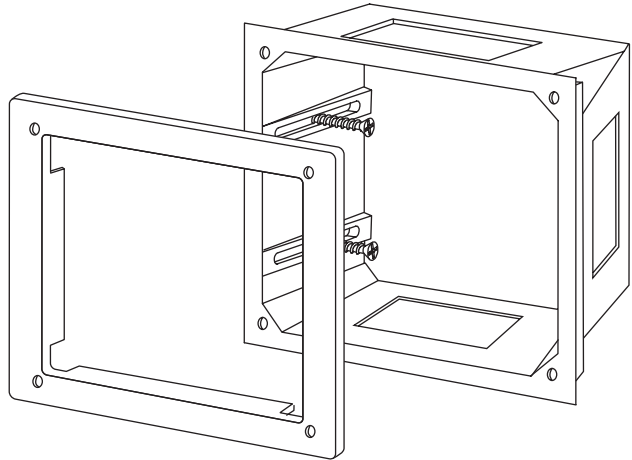
NOTE: The pre-defined knock-out size is 1.25" in diameter.

3. Carefully pull low-voltage wires through the hole in the Quick-Snap cover plate. Snap back into place and connect wires to the appropriate devices.
4. To run additional low-voltage connections use the remaining positions on the CON1001 Entertainment Box and repeat steps 1 through 4. For unused slots, attach the Quick-Snap cover plate.



TROUBLESHOOTING

For technical assistance, contact your authorized Construct Pro dealer or Construct Pro customer service at 800.844.9555.



CONSTRUCT PRO
9390 Veterans Memorial Parkway
O'Fallon, MO 63366
Tech Support: 800.844.9555
email: retailsupport@skywalker.com
www.skywalker.com